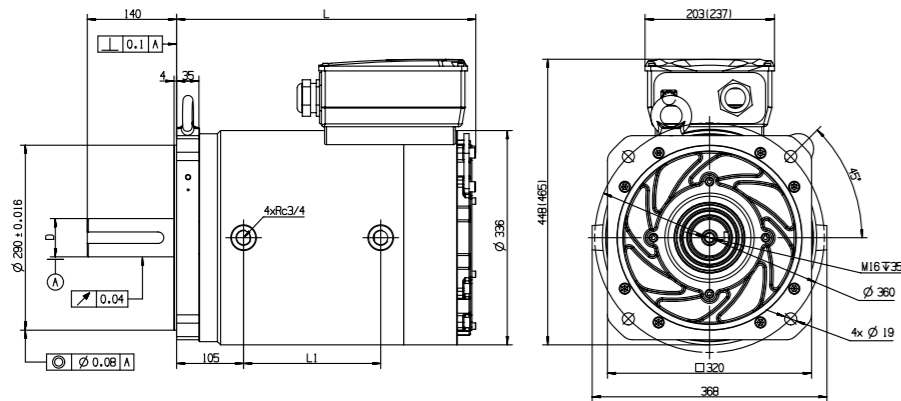


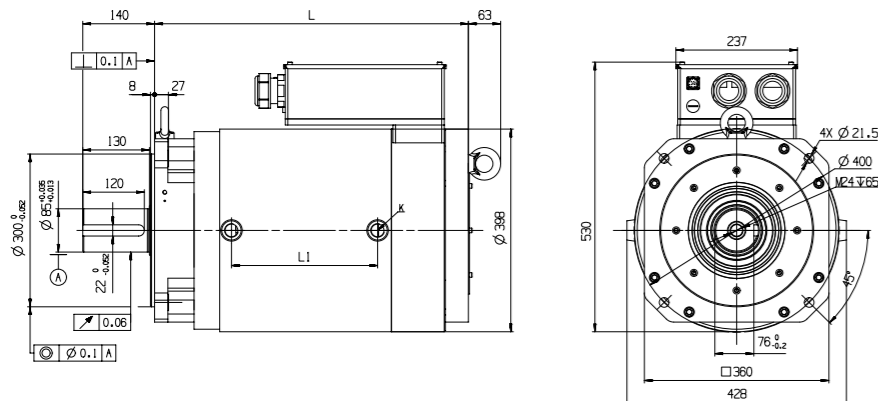
Box Motor

Performance Parameters

Model	Rated Speed (rpm)	Rated Torque (Nm)	Rated Power (kW)	Back Emf (V)	Rated Current (A)	KT (Nm/A)	Rated Voltage (V)	Rated Frequency (HZ)
HP12525-H182W-R1P4	1800	336	63.3	313	115	2.92	380	120
HP12529-H182W-R1P4	1800	392	73.9	317	134	2.93	380	120
HP12533-N182W-R1P4	1800	448	84.4	334	147	3.05	380	120
HP12538-H182W-R1P4	1800	504	95.0	313	172	2.93	380	120
HP12945-G182W-R1P4	1800	500	94	311	181	2.8	380	180
HP12954-K182W-R1P4	1800	600	113	336	202	3	380	180
HP12963-G182W-R1P4	1800	700	132	305	259	2.7	380	180
HP12972-G182W-R1P4	1800	800	151	298	302	2.6	380	180
HP12981-K182W-R1P4	1800	900	170	336	302	3	380	180
HP13060-P182W-R1P4	1800	750	141	335	240	3.13	380	180
HP13072-P182W-R1P4	1800	900	170	352	278	3.23	380	180
HP13084-P182W-R1P4	1800	1050	198	352	325	3.23	380	180
HP13096-P182W-R1P4	1800	1200	226	335	383	3.13	380	180
HP130U1-P182W-R1P4	1800	1350	254	377	408	3.31	380	180
HP130U2-P182W-R1P4	1800	1500	283	335	479	3.15	380	180



Specification	HP12945	HP12954	HP12963	HP12972	HP12981
L	469	529	574	619	664
L1	215	270	315	360	405
L2	60k6	65k6	65k6	75k6	75k6
D	C18x120	C18x120	C18x120	C20x125	C20x125
K	Rc1/2	Rc3/4	Rc3/4	Rc3/4	Rc3/4
Plane Size	C14x90	C14x90	C14x90	C18x120	C18x120



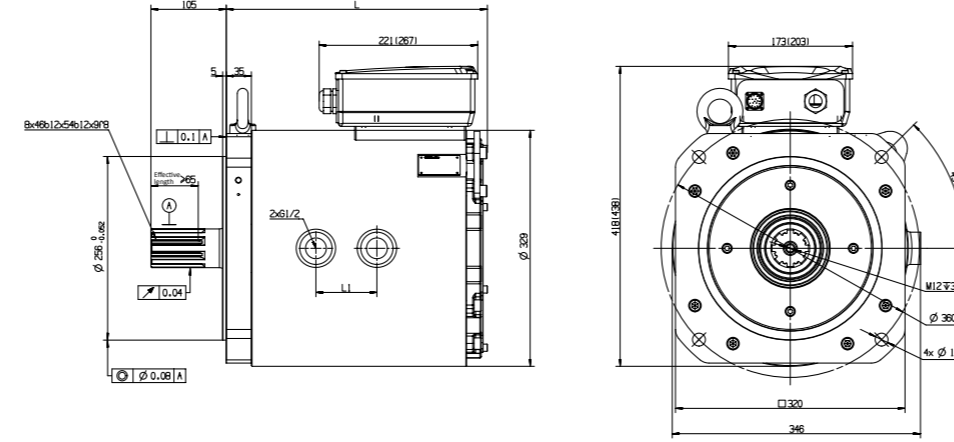
Specification	HP13060	HP13072	HP13084	HP13096	HP130U1	HP130U2
L	512	552	592	627	667	707
L1	185	232	272	312	352	392
K	Rc3/4	Rc3/4	Rc3/4	Rc3/4	Rc3/4	Rc3/4

Direct-drive Motor

Performance Parameters

Model	Screw Diameter (mm)	Rated Speed (rpm)	Rated Torque (Nm)	Rated Power (kW)	Rated Voltage (V)
HP12927-G042W-R1P4	35	400	450	18.8	380
HP12936-G042W-R1P4	50	400	600	25	380
HP12945-G042W-R1P4	55	400	750	31.4	380
HP12954-G042W-R1P4	60	400	900	37.7	380
HP12963-G042W-R1P4	65	400	1050	44	380
HP12972-G042W-R1P4	70	400	1200	50.3	380

Note: H50 spline shafts 8-46b12x50b12x9f8 or other special splines are available.



Specification	HP12927	HP12936	HP12945	HP12954	HP12963	HP12972
L	364	409	459	504	549	594
L1	85	112	112	112	112	112



NINGBO HAITIAN DRIVE SYSTEMS CO., LTD.

NINGBO HAITIAN DRIVE TECHNOLOGY CO., LTD.

ADD: No.518, Xiaojiajiang Middle Road, Beilun District, Zhejiang, China, 315801

TEL: 0574-86181773

FAX: 0574-86185809

E-mail: sales@stfgroup.com.cn

Web: <https://stfhydraulic.en.alibaba.com>



Electromelt Adhesive Solutions For The Injection Molding Machine Industry

Version 2024

2024/04

Electromelt Adhesive Solutions For The Injection Molding Machine Industry



Company Profile

Professional Servo System Supplier in China

Haitian Drive Systems is committed to becoming a professional manufacturer of high-end servo systems, providing customers with efficient, stable and precise energy-saving power products. At present, Haitian Drive Systems produces 120,000 sets of medium and high power servo systems annually, and so far, the total supply has exceeded 1 million sets. Its technical level and manufacturing strength are leading in China.

Technology And R&D Strength

The power of the servo drive produced by the Company covers 5.5kW-355kW, the rated power of AC permanent magnet servo motor covers 0.4kW-500kW, the rated torque covers 2.2Nm-20,000Nm, and the rated speed covers 10rpm-15,000rpm. At present, all series of servo systems have been widely used in injection molding, die casting, aluminum extrusion and hydraulic fields.

Product Features

> Improve Energy Efficiency

It can achieve synchronous linkage between mold opening and closing and material storage, shorten the production cycle and greatly improve the production efficiency;

> Energy Saving 15-35%

The melting time takes a long time in the entire product cycle, saving at least 15-35% of energy;

> High Precision And Stability

The melt is stable, the rotation speed fluctuation is low, the precision is high, and the plasticizing effect is good;

> Environmentally Friendly Noise Reduction

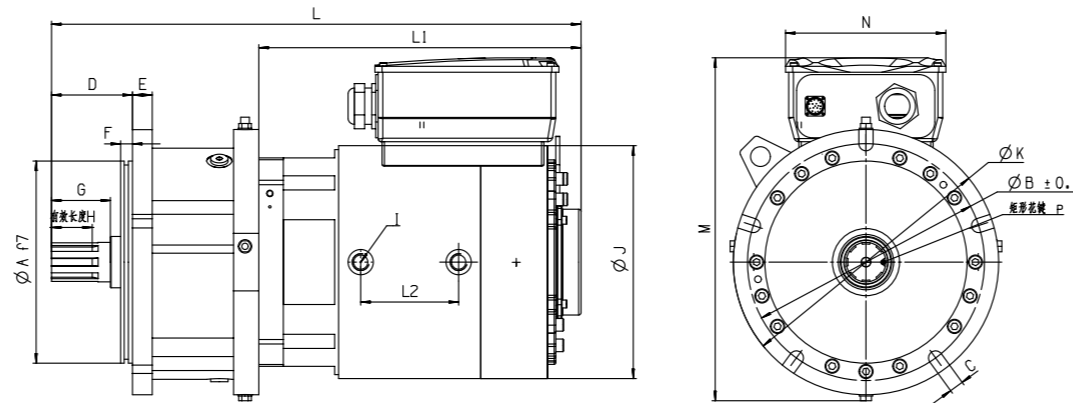
The equipment has no oil circuit pollution, reduces noise and improves the workshop environment;



Planetary Motor

Performance Parameters

Specification	Screw Diameter Regular Plastic (mm)	Reducer Parameters		Motor Parameters				Drive Parameters
		Output Torque (Nm)	Reduction ratio	Rated Speed (rpm)	Rated Torque (Nm)	Rated Power (kW)	Rated Voltage (V)	Power (Kw)
9.2KW/D-18-SH-K HT03-8.5	45	750	8.5	1800	49	9.2	380	11
10.3KW/D-20-SH-K HT03-8.5				2000	49	10.3	380	11
18.5KW/D-18-SH-K HT06-9.5				60	1400	1800	98	18.5
20.5KW/D-20-SH-K HT06-9.5	2000	98	20.5			380	22	
31.7KW/D-18-SH-K HT08-9.5	70	2000	1800			168	31.7	380
34.9KW/D-20-SH-K HT08-9.5			2000	166.5	34.9	380	37	
42.2KW/D-18-SH-K HT11-9.5			75	3000	1800	224	42.2	380
46.5KW/D-20-SH-K HT11-9.5	2000	222			46.5	380	45	
52.8KW/D-18-SH-K HT16-10	80	4500			1800	280	52.8	380
58.1KW/D-20-SH-K HT16-10			2000	277.5	58.1	380	55	
63.3KW/D-18-SH-K HT16-10			90	10	1800	336	63.3	380
69.7KW/D-20-SH-K HT16-10	2000	333			69.7	380	75	
73.9KW/D-18-SH-K HT31-13.5	100	13.5			1800	392	73.9	380
81.4KW/D-20-SH-K HT31-13.5			2000	388.5	81.4	380	90	



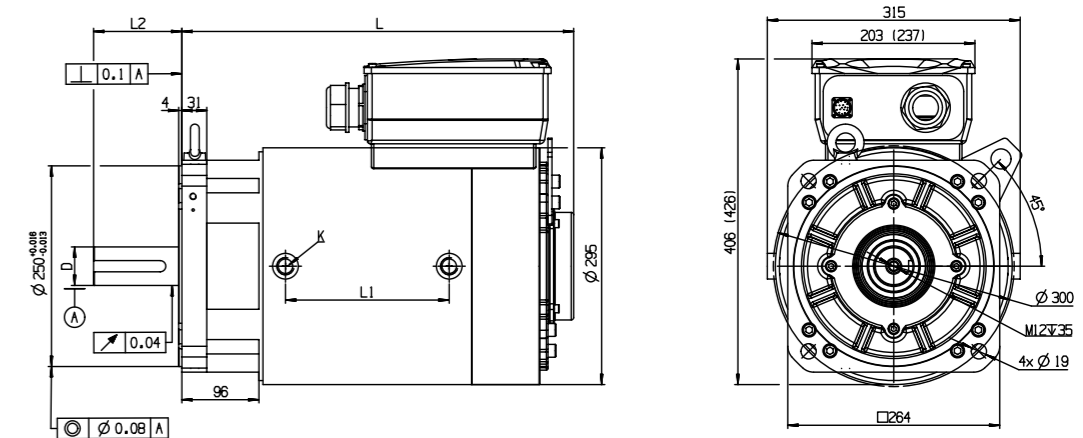
Specification	L	L1	L2	A	B	C	D	E	F	G	H	I	J	K	M	N	P
9.2/10.3KW/D-XX-SH-K HT03-8.5	461	248	56	190	210	13	79	18	13	61	38	Rc1/2	220	240	319	173	8-38f12x32f12x6f8
18.5/20.5KW/D-XX-SH-K HT06-9.5	543	230	100	230	254	16	90	20	14	68	43	Rc1/2	220	285	340	173	8-42b12x36b12x7f8
31.7/34.9KW/D-XX-SH-K HT08-9.5	630	368	106	256	300	17	102.5	25	15	75	50	Rc1/2	295	335	410	173	8-46b 12X50b12X9f8
42.2/46.5KW/D-XX-SH-K HT11-9.5	670	408	124	256	300	17	102.5	25	15	75	50	Rc1/2	295	335	434	203	8-46b12X54b12X9f8
52.8/58.1KW/D-XX-SH-K HT16-10	770	448	164	301.5	327	21	148	32	18	100	65	Rc1/2	295	370	444	203	8-62b12X72b12X12f8
63.3/69.7KW/D-XX-SH-K HT16-10	810	488	204	301.5	327	21	148	32	18	100	65	Rc1/2	295	370	444	203	8-62b12X72b12X12f8
73.9/81.4KW/D-XX-SH-K HT31-13.5	958	528	244	380	420	25	166	40	20	134	80	Rc3/4	295	475	496	203	10-82b12X92d11X12f8

Box Motor

Performance Parameters

Model	Screw Diameter (mm)	Screw Speed (rpm)	Screw Torque (Nm)	Gearbox Model	Reduction Ratio	Drive Power (kW)
HP12525-H182W-R1P4	70	240	2600	140	8	55
HP12529-H182W-R1P4	80	220	4100	160	10	75
HP12529-H182W-R1P4	85	200	4400	180	10	75
HP12533-N182W-R1P4	90	190	5100	180	10	90
HP12945-G182W-R1P4	100	170	6800	200	12.5	90
HP12963-G182W-R1P4	110	155	8800	200	12.5	132
HP13060-P182W-R1P4	120	140	11500	225	16	160
HP13060-P182W-R1P4	130	130	14000	250S	17	160
HP13060-P182W-R1P4	140	115	17000	250S	20	160
HP13072-P182W-R1P4	150	110	21000	280	20	200
HP13072-P182W-R1P4	160	90	25000	320	25	220
HP13072-P182W-R1P4	170	90	25000	320	25	220
HP13084-P182W-R1P4	185	85	32000	320	25	250
HP13084-P182W-R1P4	200	75	40000	360	31.5	250
HP130U1-H182W-R1P4	215	70	48000	360	31.5	315
HP130U1-H182W-R1P4	220	65	50000	400	31.5	315
HP130U1-H182W-R1P4	240	60	64000	450	40	315
HP130U2-P182W-R1P4	260	50	80000	450	40	355

Note: 1. The above formulation is suitable for materials with good fluidity such as PP, PS, and PE.
If you use special materials such as UPVC, CPVC, etc., please contact the manufacturer.
2. If you need an air-cooled motor or a motor with special speed, please contact the manufacturer.



Specification	HP12525	HP12529	HP12533	HP12538
L	488	528	568	638
L1	204	244	284	354
L2	110	110	110	140
D	48k6	48k6	48k6	60k 6
K	Rc1/2	Rc3/4	Rc3/4	Rc3/4
Plane Size	C14x90	C14x90	C14x90	C18x120